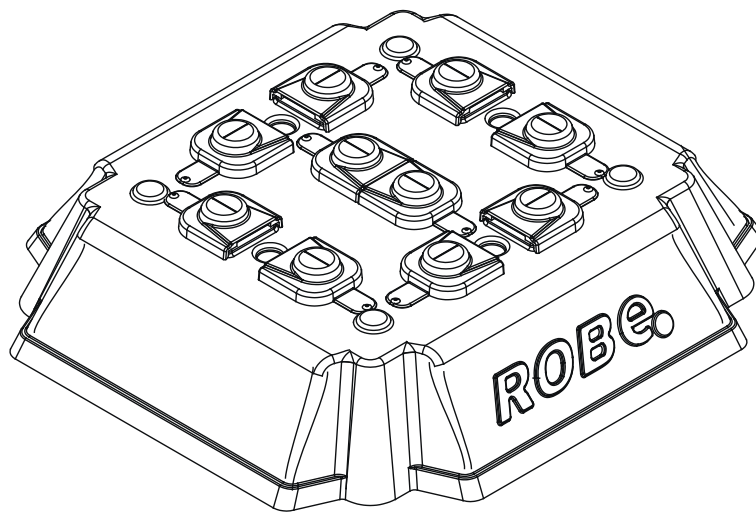


WeatherShield 575W series 1200W series



USER MANUAL

version 1.1

FOR YOUR OWN SAFETY, PLEASE READ THIS USER MANUAL CAREFULLY BEFORE YOU INSTALL THE WEATHERSHIELD .

The WeatherShield 1200W (575W) is a shelter for partial protection of 1200 AT (575/700 AT) series of the moving heads against weather conditions in temporary outdoor applications. The shelter effects moving heads cooling ,we do not recommend it use in ambient temperature above 30°C

1. Safety instructions

Every person involved with installation and maintenance of this product has to:

- be qualified
- follow the instructions of the manual

CAUTION!
This product is for professional use only!

This product has left our premises in absolutely perfect condition. In order to maintain this condition and to ensure a safe operation, it is absolutely necessary for the user to follow the safety instructions and warning notes written in this manual.

The manufacturer will not accept liability for any resulting damages caused by the non-observance of this manual or any unauthorized modification to the product.

This product was designed for partial protection of fixture's base against weather influences (drizzle,snow,etc) in temporary outdoor applications. The product does not make fixture fully waterproof. The risk of potentially danger electric shock increases if the moisture in electrical installations is present.

Do not cover the WeatherShield.

Before rigging make sure that the installation structures can hold a minimum point load of 10 times the moving head's weight.

Do not operate the WeatherShield in strong winds.

Do not hang additional weatherproof material over WeatherShield while the moving head is in use.

Always install a safety cable that can hold at least 10 times the weight of the moving head. You must only use safety cables with screw-on carabines.

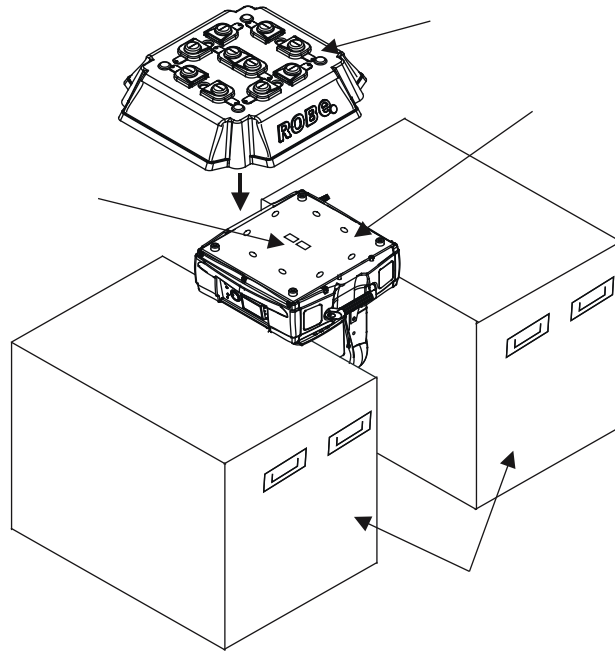
The maximum ambient temperature 30° C should be never exceeded.

Fixtures with the WeatherShield installed must be handled by a two people.

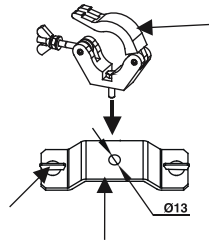
When rigging, derigging or servicing the fixture with WeatherShield installed ,staying in the area below the installation place, on bridges, under high working places and other endangered areas is forbidden.

2. Installation

1. Place the fixture upright down on two tables (2) (right cases or similar supports).
2. Put the WeatherShield (3) on the base (1) of the fixture.

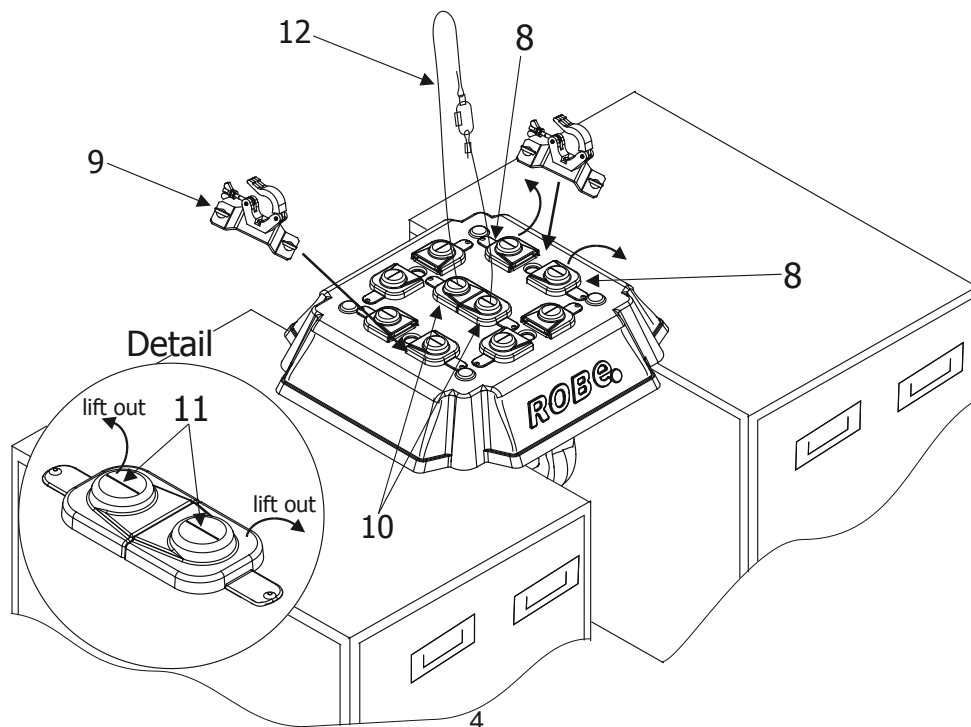


3. Fasten clamps (5) with M12 bolt and lock nut to the two omega holders (6) through the holes in the omega holders.

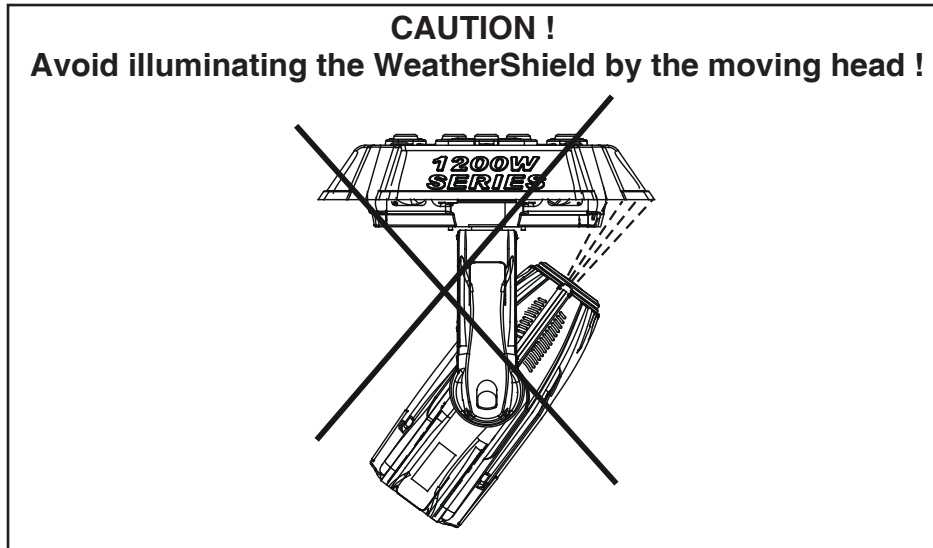


4. Lift off the rubber protecting covers (8) and fasten the omega holders (9) into the base of the fixture using their quarter-turn fasteners (7) and turn them fully clockwise. Check if the quarter-turn fasteners are locked. Close the rubber covers back.

5. Cut through marked guideline (11) in the two rubber protecting covers in order to create a slot for safety cable. Lift off the rubber covers and thread the safety cable (12) through both covers and through the two apertures (4) in the base of the fixture. Close the rubber covers back.



6. The fixture with WeatherShield fitted is now ready for rigging. Two people are required to lift and handle the fixture. After rigging the fixture, fasten the safety cable to the attachment point (truss support).



3. Cleaning

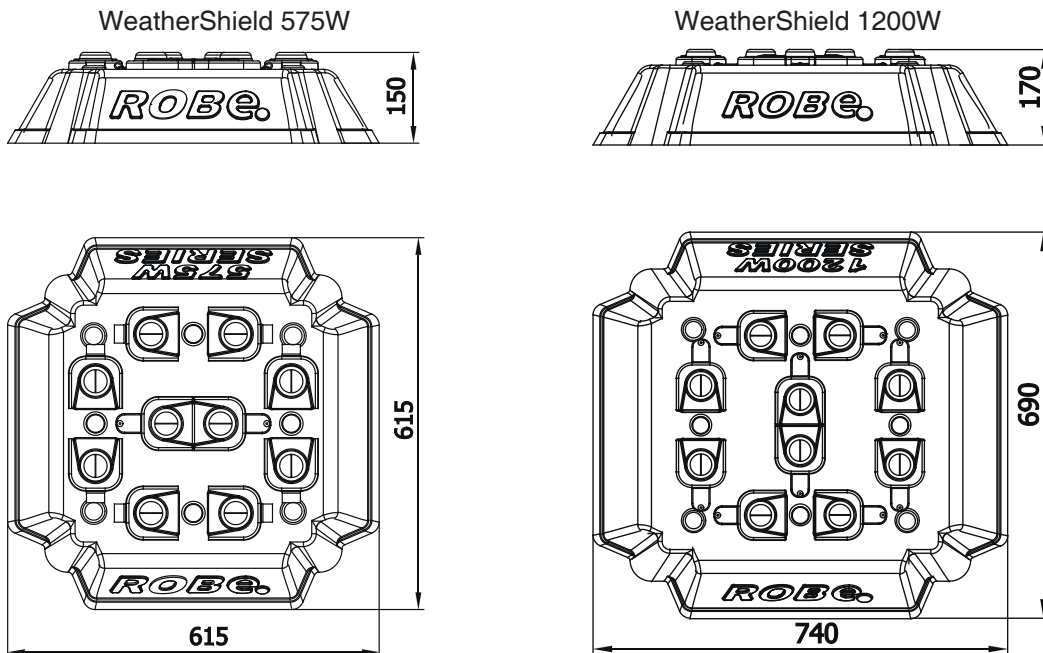
A soft lint-free damp cloth and soapy water is recommended for cleaning the WeatherShield, under no circumstances should alcohol or solvents be used.

4. Technical specifications

Construction: Flame-retardant ABS

Maximum ambient temperature of aspirated air by running fixture : 40° C

Dimensions:



Weight: 2.1 kg

2.5 kg

Application:

Weather Shield 575W-for 575 and 700 AT series of moving heads

Weather Shield 1200W-for 1200 AT series of moving heads

