

# User instructions

## ArcLine Outdoor Optic 12/K2

## ArcLine Outdoor Optic 18/K2

## ArcLine Outdoor Optic 24/K2

## ArcLine Outdoor Optic 36/K2

The products generate colored light by means of red, green, blue and white LEDs. The products were designed for exterior use and they are ideal for locations where effect lighting with long lifetime is required.

### 1. Attention:

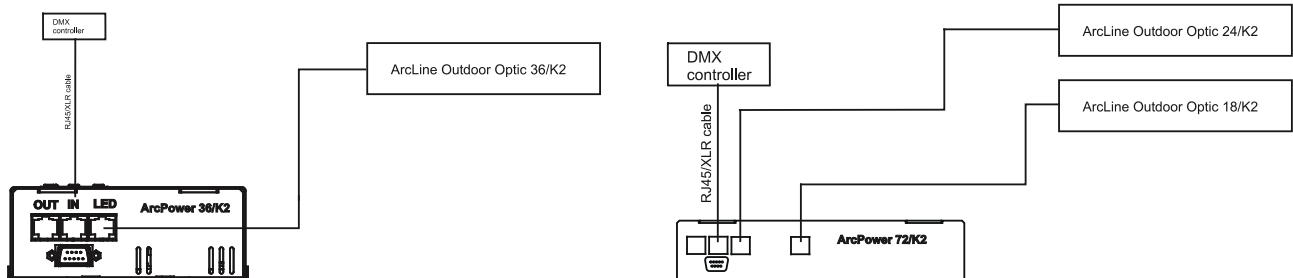
- During the operation the housing becomes hot (up to 80°C)
- Consider the respective national norms during the installation.
- Operate only in places where the sufficient air flow to cool the module is present!
- The maximum surface temperature of the housing must never be exceeded.
- Do not install the unit near naked flames.
- Avoid using the unit in locations subject to possible impacts.
- Do not attempt to dismantle or modify the unit.
- Avoid looking directly into the LED light beam at close range.
- Do not install the module in badly ventilated location.

### 2. Installation:

The ArcLine Outdoor units should be connected to the ArcPower drivers.

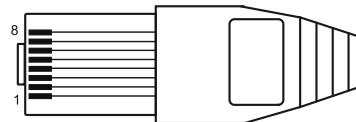
See ArcPower 36/K2 or ArcPower 72/K2 (or their SmartWhite variants) user manuals for full details of mains power requirements and DMX operation.

**Note:** Set right current-carrying capacity of each LED branch (colour) in order to keep declared lifetime of LED modules - see menu "SPE" on each ArcPower /K2 driver.



The ArcLine Outdoor unit can be arranged in any position orientation. Spotlight body is mounted on a steel "U" bracket for "tilt" adjustment, with fixings which can be locked in position to retain the focus of the unit beam. Connect to the end of the ArcLine Outdoor's cable directly to the driver or use suitable cable joint box (weather-tight for outdoor installation) if the cable has to be extended. The Belden cable that connects the ArcLine Outdoor unit to the ArcPower driver has the following wiring:

Connection of the RJ45 plug  
(View facing pins)



Pin	Colour of wire	<u>RGB or RAB</u>	<u>Single colour</u>	<u>SW</u>
1	white/orange	Red LED +	LED 1+	Warm White LED1 +
2	orange	Green (Amber) LED +	LED 2+	Cool White LED1 +
3	white/green	Blue LED +	LED 3+	Warm White LED2 +
4	blue	Not used	Not used	Cool White LED2 +
5	white blue	Red LED -	LED 1-	Warm White LED1 -
6	green	Green (Amber) LED -	LED 2-	Cool White LED1 -
7	white/brown	Blue LED -	LED 3-	Warm White LED2 -
8	brown	Not used	Not used	Cool White LED2 -

It is possible to use a splitter for connecting two ArcLine Outdoor Optic modules but maximum number of connected modules to the ArcPower 36/K2 (or to one zone of the ArcPower 72/K2) determines the table:

Module (colour variant)	Total LEDs	Red LEDs	Green LEDs	Blue LEDs	Amber LEDs	Cool white LEDs	Warm white LEDs	Max.number of connected modules	Compatible power supplies
ArcLine Outdoor Optic 12/K2 RGB	12	4	4	4	-	-	-	3	ArcPower 36/K2 ArcPower 72/K2
ArcLine Outdoor Optic 12/K2 CW	12	-	-	-	-	12	-	3	ArcPower SmartWhite 36/K2 ArcPower SmartWhite 72/K2
ArcLine Outdoor Optic 12/K2 WW	12	-	-	-	-	-	12	3	ArcPower SmartWhite 36/K2 ArcPower SmartWhite 72/K2
ArcLine Outdoor Optic 12/K2 R	12	12	-	-	-	-	-	3	ArcPower SmartWhite 36/K2 ArcPower SmartWhite 72/K2
ArcLine Outdoor Optic 12/K2 G	12	-	12	-	-	-	-	3	ArcPower SmartWhite 36/K2 ArcPower SmartWhite 72/K2
ArcLine Outdoor Optic 12/K2A	12	-	-	-	12	-	-	3	ArcPower SmartWhite 36/K2 ArcPower SmartWhite 72/K2
ArcLine Outdoor Optic 12/K2 B	12	-	-	12	-	-	-	3	ArcPower SmartWhite 36/K2 ArcPower SmartWhite 72/K2
ArcLine Outdoor Optic 12/K2 SW	12	-	-	-	-	6	6	3	ArcPower SmartWhite 36/K2 ArcPower SmartWhite 72/K2
ArcLine Outdoor Optic 18/K2 RGB	18	6	6	6	-	-	-	2	ArcPower 36/K2 ArcPower 72/K2
ArcLine Outdoor Optic 18/K2 RAB	18	6	-	6	6	-	-	2	ArcPower 36/K2 ArcPower 72/K2
ArcLine Outdoor Optic 18/K2 CW	18	-	-	-	-	-	-	2	ArcPower SmartWhite 36/K2 ArcPower SmartWhite 72/K2
ArcLine Outdoor Optic 18/K2 WW	18	-	-	-	-	-	18	2	ArcPower SmartWhite 36/K2 ArcPower SmartWhite 72/K2
ArcLine Outdoor Optic 18/K2 R	18	18	-	-	-	-	-	2	ArcPower SmartWhite 36/K2 ArcPower SmartWhite 72/K2
ArcLine Outdoor Optic 18/K2 G	18	-	18	-	-	-	-	2	ArcPower SmartWhite 36/K2 ArcPower SmartWhite 72/K2
ArcLine Outdoor Optic 18/K2 A	18	-	-	-	18	-	-	2	ArcPower SmartWhite 36/K2 ArcPower SmartWhite 72/K2
ArcLine Outdoor Optic 18/K2 B	18	-	-	18	-	-	-	2	ArcPower SmartWhite 36/K2 ArcPower SmartWhite 72/K2
ArcLine Outdoor Optic 24/K2 RGB	24	8	8	8	-	-	-	1	ArcPower 36/K2 ArcPower 72/K2
ArcLine Outdoor Optic 24/K2 RAB	24	8	-	8	8	-	-	1	ArcPower 36/K2 ArcPower 72/K2
ArcLine Outdoor Optic 24 /K2 CW	24	-	-	-	-	24	-	1	ArcPower SmartWhite 36/K2 ArcPower SmartWhite 72/K2
ArcLine Outdoor Optic 24/K2 WW	24	-	-	-	-	-	24	1	ArcPower SmartWhite 36/K2 ArcPower SmartWhite 72/K2
ArcLine Outdoor Optic 24/K2 R	24	24	-	-	-	-	-	1	ArcPower SmartWhite 36/K2 ArcPower SmartWhite 72/K2
ArcLine Outdoor Optic 24/K2 B	24	-	-	24	-	-	-	1	ArcPower SmartWhite 36/K2 ArcPower SmartWhite 72/K2
ArcLine Outdoor Optic 24/K2 SW	24	-	-	-	-	12	12	1	ArcPower SmartWhite 36/K2 ArcPower SmartWhite 72/K2
ArcLine Outdoor Optic 36/K2 RGB	36	12	12	12	-	-	-	1	ArcPower 36/K2 ArcPower 72/K2
ArcLine Outdoor Optic 36/K2 RAB	36	12	-	12	12	-	-	1	ArcPower 36/K2 ArcPower 72/K2
ArcLine Outdoor Optic 36/K2 CW	36	-	-	-	-	36	-	1	ArcPower SmartWhite 36/K2 ArcPower SmartWhite 72/K2
ArcLine Outdoor Optic 36/K2 WW	36	-	-	-	-	-	36	1	ArcPower SmartWhite 36/K2 ArcPower SmartWhite 72/K2

ArcLine Outdoor Optic 36/K2 R	36	36	-	-	-	-	-	1	ArcPower SmartWhite 36/K2 ArcPower SmartWhite 72/K2
ArcLine Outdoor Optic 36/K2 G	36	-	36	-	-	-	-	1	ArcPower SmartWhite 36/K2 ArcPower SmartWhite 72/K2
ArcLine Outdoor Optic 36/K2 A	36	-	-	-	36	-	-	1	ArcPower SmartWhite 36/K2 ArcPower SmartWhite 72/K2
ArcLine Outdoor Optic 36/K2 B	36	-	-	36	-	-	-	1	ArcPower SmartWhite 36/K2 ArcPower SmartWhite 72/K2
ArcLine Outdoor Optic 36/K2 SW	36	-	-	-	-	18	18	1	ArcPower SmartWhite 36/K2 ArcPower SmartWhite 72/K2

### 3. Technical specifications:

ArcLine Outdoor Optic	12/K2	18/K2	24/K2	36/K2
Total max. power consumption:	30 Watts	45 Watts	60 Watts	90 Watts
Compatible power supplies*:	ArcPower 36/K2, 72/K2	ArcPower 36/K2,72/K2	ArcPower 36/K2,72/K2	ArcPower 36/K2,72/K2
Number of LEDs:	12	18	24	36
LED device:	Luxeon K2	Luxeon K2	Luxeon K2	Luxeon K2
Optical systems available:	6°, 15°, 38°, 25°, 25°x6°	6°, 15°, 25°, 38°, 25°x6°	6°, 15°, 25°, 38°, 25°x6°	6°, 15°, 25°, 38°, 25°x6°
LED colour variants:	RGB,RAB,R,G,B,A,WW,CW,SW	RGB,RAB,R,G,B,A,WW,CW	RGB,RAB,R,G,B,A,WW,CW,SW	RGB,RAB,R,G,B,A,WW,CW,SW
Weight:	2.1 kg	3.1 kg	4.3 kg	6.4 kg

#### Common data for all models:

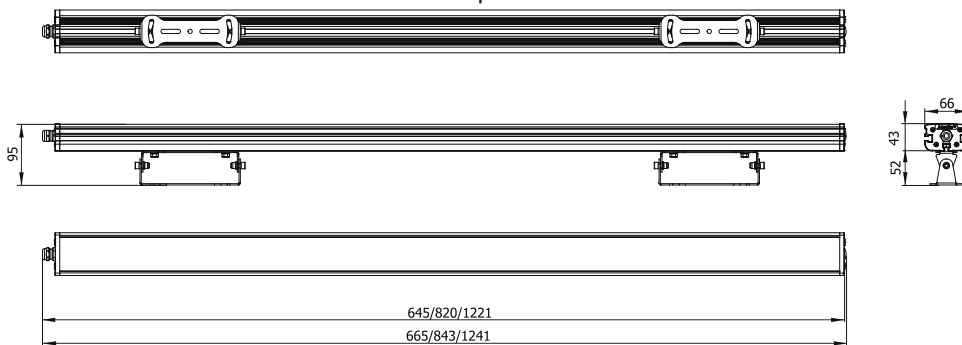
Construction:body	precision extruded alluminium
“U” holder	zincing steel
Transparent cover:	tempered glass
Cooling:	convection
Ingress protection:	IP 65
Flammability:	94HB ame class rating
Power /Data plug:	RJ45
Power /Data cable	
type:	Belden 7930A Cat. 5e;AWG 24
length:	1.5 m
Data connection:	side or rear
Ambient temp.range:	-20°C/+40°C
Led life expectancy** :	minimum 50,000 hrs
Typical Lumen maintenance:	70% @ 50,000 hours

\* For single colour or SmartWhite modules are intended SmartWhite variants of the ArcPower supplies

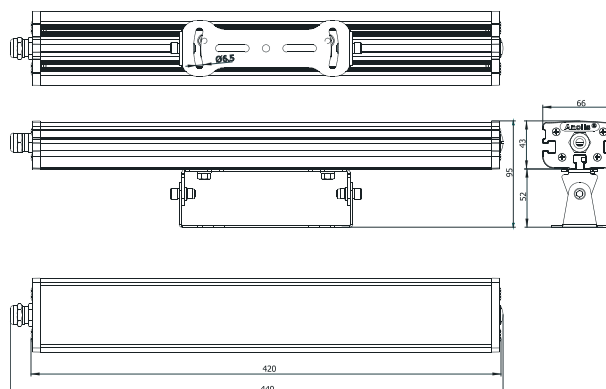
\*\* Constant operation at a current of 700mA (green,blue and white LEDs) and 420mA (red and amber LEDs)

### 4. Dimensions (all dimensions are in mm)

#### ArcLine Outdoor Optic 18/24/36/K2



#### ArcLine Outdoor Optic 12/K2



## **5. Accessories**

Allen key.....1 piece

Splitter (No. 13050690).....1 piece (only ArcLine Outdoor Optic 12/18)

## **6. Maintenance**

Periodically clean the front transparent cover, particularly if the unit is exposed to the weather. Use a moist, lint-free cloth. Never use alcohol or solvents!

