

# User instructions

## ArcLine Double Outdoor Optic 36/48/72

The products generate colored light by means of red, green and blue LEDs. The products were designed for exterior use and they are ideal for locations where effect lighting with long lifetime is required.

### 1. Attention:

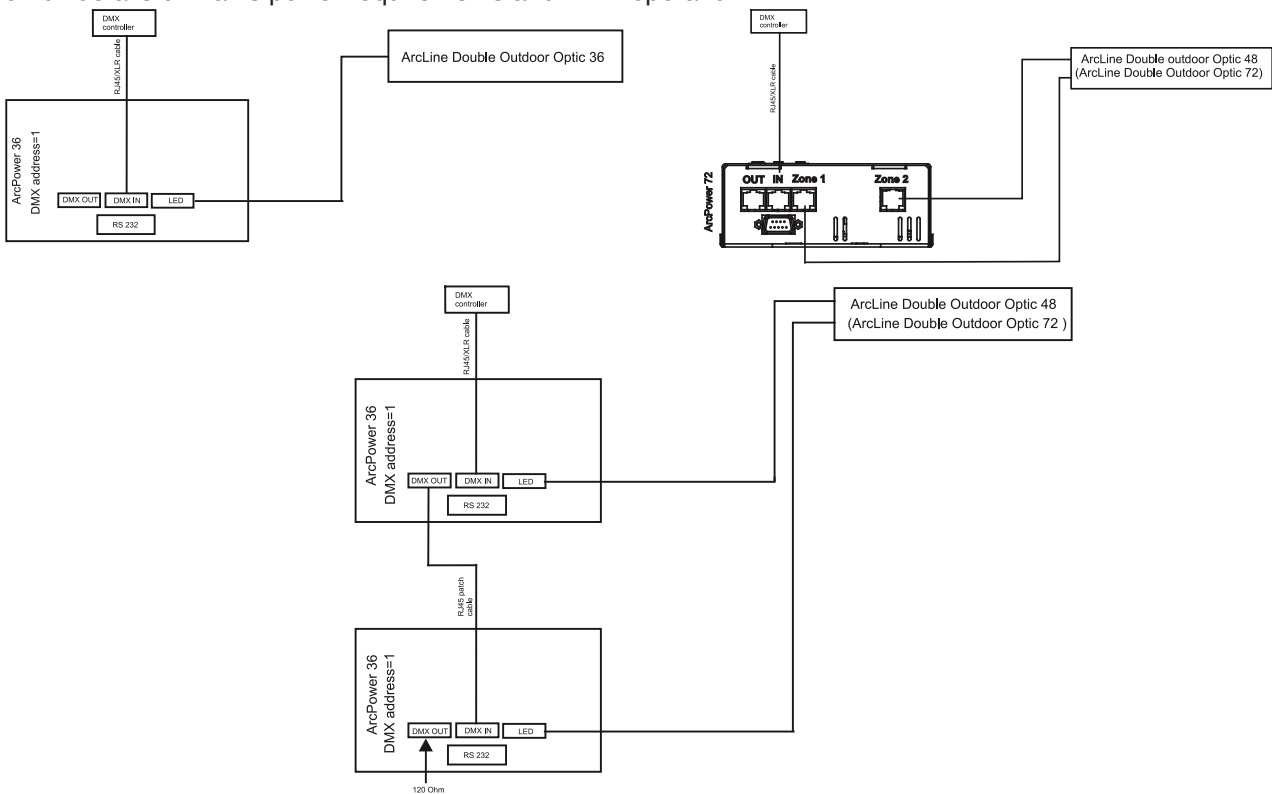
**Consider the respective national norms during the installation!**

- Do not install the unit near naked flames.
- Avoid using the unit in locations subject to possible impacts.
- Do not attempt to dismantle or modify the unit.
- Avoid looking directly into the LED light beam at close range.
- Do not install the module in badly ventilated location

### 2. Installation:

The ArcLine Double Outdoor unit should be connected to the ArcPower drivers according to the colours and LEDs variants.

See ArcPower 36, ArcPower 72, ArcPower 144 or ArcPower 360 (or their SmartWhite variants) user manuals for full details of mains power requirements and DMX operation.

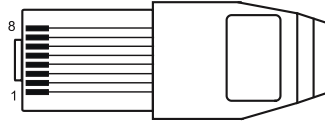


The ArcLine Double Outdoor unit can be arranged in any position orientation. Spotlight body is mounted on a steel “U” bracket for “tilt” adjustment, with fixings which can be locked in position to retain the focus of the unit beam.

Connect the end of the ArcLine Double Outdoor’s cable directly to the driver or use suitable cable joint box (weather-tight for outdoor installation) if the cable has to be extended. The Belden cable that connects the ArcLine Double Outdoor unit to the driver ArcPower has the following wiring:

Pin	Colour of wire	RGB or RAB	Single colour	SW
1	white/orange	Red LED +	LED 1+	Warm White LED1 +
2	orange	Green (Amber) LED +	LED 2+	Cool White LED1 +
3	white/green	Blue LED +	LED 3+	Warm White LED2 +
4	blue	Not used	Not used	Cool White LED2 +
5	white blue	Red LED -	LED 1-	Warm White LED1 -
6	green	Green (Amber) LED -	LED 2-	Cool White LED1 -
7	white/brown	Blue LED -	LED 3-	Warm White LED2 -
8	brown	Not used	Not used	Cool White LED2 -

RJ45 plug  
(View facing pins)



In contrast to the ArcLine Outdoor Optic 36 the the ArcLine Double Outdoor Optic 48 (72) consists of two LEDs lines with separate power/data cables for connection to the ArcPower units. Only one LEDs line is possible to connect to the ArcPower 36 (or to the one LED output of the ArcPower 144 ). On this account the ArcLine Double Outdoor Optic 48 (72) needs two ArcPower 36 drivers (or two LED outputs of the ArcPower 72 / ArcPower 144/ArcPower 360) for control.

### 3. Technical specifications:

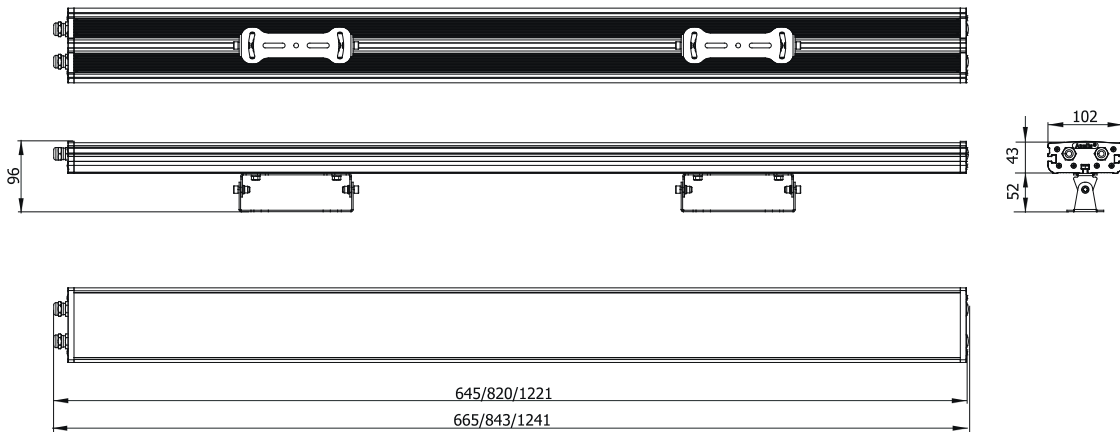
	ArcLine Double Outdoor Optic 36	ArcLine Double Outdoor Optic 48	ArcLine Double Outdoor Optic 72
Max. Input Current per Colour	350 mA	350 mA	350 mA
Total Max. Power Consumption:	40.8 Watts	54.4 Watts(27.2 Watts per line)	81.6 W (40.8 Watts per line)
Number of LEDs:	2x18	2x24	2x36
Compatible Power Supplies*:	ArcPower 36/72/144/360	2xArcPower 36, 1x ArcPower 72/144/360	2xArcPower 36, 1x ArcPower 72/144/360
Operating Ambient Temp. Range:	-20°C/+40°C	-20°C/+40°C	-20°C/+40°C
Cooling System:	convection	convection	convection
Optical Systems Available:	6°, 15°, 25°, 25°x6°	6°, 15°, 25°, 25°x6°	6°, 15°, 25°, 25°x6°
LED Device:	1 Watt Luxeon	1 Watt Luxeon	1 Watt Luxeon
Typical Lumen Maintenance:	70% @ 50,000 hours	70% @ 50,000 hours	70% @ 50,000 hours
Led Life Expectancy:	minimum 50,000 hours	minimum 50,000 hours	minimum 50,000
Construction:body	precision extruded alluminium	precision extruded alluminium	precision extruded alluminium
“U” holder	zincing steel	zincing steel	zincing steel
Transparent cover:	tempered glass	tempered glass	tempered glass
Weight:	4.6 kg	5.8 kg	8.5 kg
Ingress Protection:	IP 65	IP 65	IP 65
Flammability:	94HB ame class rating	94HB ame class rating	94HB ame class rating
Power /Data plug:	RJ45	RJ45	RJ45
Power /Data cable			
type:	Belden 7930A Cat. 5e;AWG 24	Belden 7930A Cat. 5e;AWG 24	Belden 7930A Cat. 5e;AWG 24
length:	1x 1.5 m	2x1.5m	2x1.5m
LED Colour Variants**	RGB,R,G,B,A,WW,CW	RGB,R,G,B,A,WW,CW,SW	RGB,R,G,B,A,WW,CW,SW

\* For single colour or SW modules are intended SmartWhite variants of the power supplies

\*\* RGB - red&green&blue;R- red;B-blue;G-green,A-Amber,CW-cool white;WW-warm white;SW-smart white;RAB-red&amber&blue

### 4. Dimensions:

(All dimensions are in mm)



### 5. Accessories

Allen key..... 1 piece

### 6. Maintenance

Periodically clean the front transparent cover, particularly if the unit is exposed to the weather. Use a moist, lint-free cloth. Never use alcohol or solvents!

Version: 1.5

Specifications are subject to change without specification