

# User instructions

## ArcPar 3

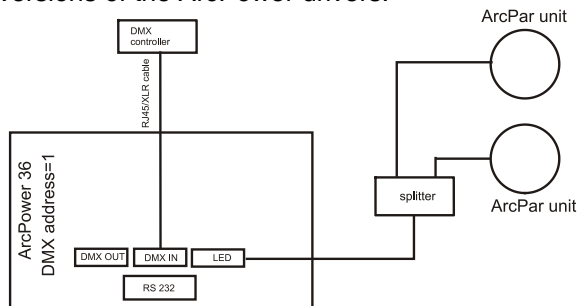
The product generates colored light by means of Luxeon LEDs. The product was designed for interior use and they is ideal for locations where effect lighting is required.

### 1.Attention:

- Do not install the module near high inflammable liquids or materials
- Do not allow anything to rest on the module
- Do not use the module near high humidity or water or expose to the rain
- Do not install the module near the naked flames
- Do not install the module in dirty,dusty or badly ventilated location

### 2.Installation

The ArcPar 3 should be connected to the ArcPower drivers. See the ArcPower 36 ,72,144, or 360 user maual for full details of mains power requirements and DMX operation. For single colour variants of the ArcPar 3 are intended SmartWhite versions of the ArcPower drivers.

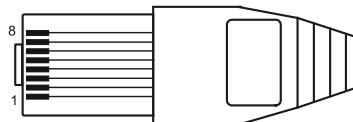


The ArcPar unit can be arranged in any position orientation. Spotlight body is mounted on a steel “U” bracket for “tilt” adjustment, with fixings which can be locked in position to retain the focus of the unit beam.

Connect the end of the ArcPar’s cable directly to the driver or use suitable cable joint box if the cable has to be extended. The power/data cable that connect the ArcPar unit to the ArcPower driver has the following wiring:

Pin	Colour of wire	RGB	Single colour
1	White/orange	Red LED +	Colour LED 1 +
2	Orange	Green LED +	Colour LED 2 +
3	White/green	Blue LED +	Colour LED 3 +
4	Blue	Not used	Not used
5	White/blue	Red LED -	Colour LED 1 -
6	Green	Green LED -	Colour LED 2 -
7	White/brown	Blue LED -	Colour LED 3 -
8	Brown	Not used	Not used

RJ45 plug  
(View facing pins)



### Colour variants

Maximum possible number of LED modules connected to the one ArcPower 36 (or one LED output of the ArcPower 72/144/360) is mentioned in the table below.

Module (colour variant)	Total LEDs	Red LEDs	Green LEDs	Blue LEDs	Amber LEDs	Cool white LEDs	Warm white LEDs	Max.number of connected modules	Compatible power supplies
ArcPar 3 RGB	3	1	1	1	-	-	-	12	ArcPower 36/72/144/360
ArcPar 3 CW	3	-	-	-	-	3	-	12	ArcPower SmartWhite36 72/144

Module (colour variant)	Total LEDs	Red LEDs	Green LEDs	Blue LEDs	Amber LEDs	Cool white LEDs	Warm white LEDs	Max.number of connected modules	Compatible power supplies
ArcPar 3 WW	3	-	-	-	-	-	3	12	ArcPower SmartWhite36 72/144
ArcPar 3 R	3	3	-	-	-	-	-	12	ArcPower SmartWhite36 72/144
ArcPar 3 G	3	-	3	-	-	-	-	12	ArcPower SmartWhite36 72/144
ArcPar 3 B	3	-	-	3	-	-	-	12	ArcPower SmartWhite36 72/144
ArcPar 3 A	3	-	-	-	3	-	-	12	ArcPower SmartWhite36 72/144

#### 4. Technical specifications:

##### Parameter

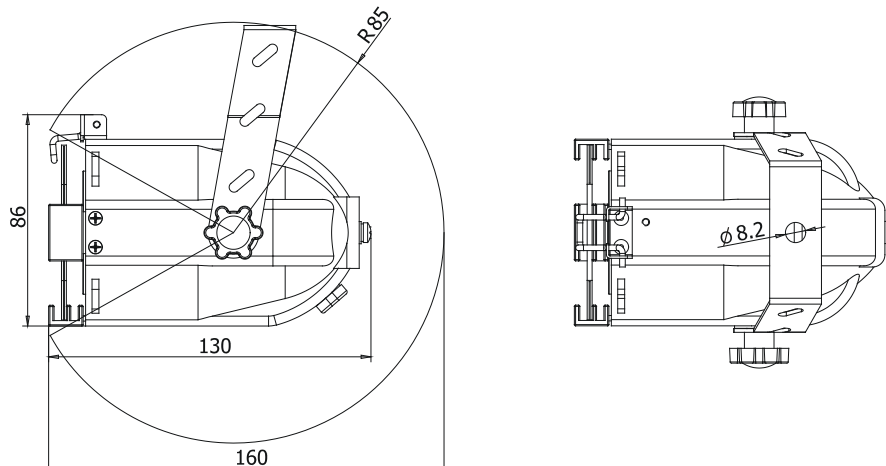
Max input current:	350 mA
Maximum Power Consumption:	4.2 W
Comp. Power Supplies for RGB variant:	ArcPower 36/72/144/360
Comp. Power Supplies for single colour variants:	ArcPowerSmartWhite 36/72/144
Operating Ambient Temp.Range:	-20°C/+30°C
Cooling System:	convection
Led device:	1W Luxeon
Number of LEDs	3
Optical Systems Available:	6°, 15°, 25°, 38°
Typical Lumen Maintenance:	70% @ 50,000 hours
Led Life Expectancy:	minimum 50,000 hours
LED colour variants *:	RGB,CW,WW,R,G,B,A
Colour temperature for WW/CW variants:	3300K/6500 K
Ingress Protection:	IP 2X
Construction:	
housing:	precision extruded aluminium
"U" bracket:	steel
finish:	black,white,silver
Weight:	0.5 kg
Power /Data Connection plug:	RJ45
Power /Data Connection cable:	24 AWG x 4P,category 5e,1.5 m long
* RGB - red,green,blue; R- red; G-green; A-Amber; B-blue; CW-cool white; WW-warm white	

#### 5. Accessories

Splitter.....1 pcs (No. 13050690)

#### 6. Dimensions:

(All dimensions are in mm)



Ver. 1.0

Specifications are subject to change without notice.