

Technical features

Electrical

- Standard 230V, 50/60Hz power supply (others available on request)
- Lamp-holder type GY 9.5
- 2m power supply cable (plug available on request)
- Strain relief cable clamp entry into light housing

Safety

- Automatic power cut-out by bipolar microswitch on opening the lamp-tray
- Safety mesh
- Safety bond attachment
- Filter-frame locking system
- Compliance to CE EN 60598-2-17 standards

Optical

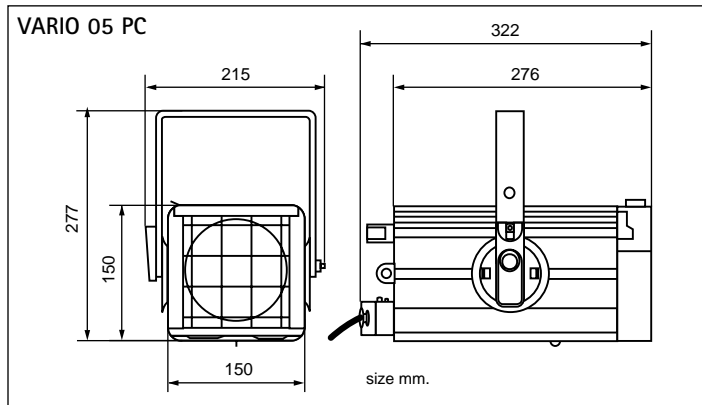
- Spherical reflector in 99.99% polished and treated aluminium: 70mm diameter
- 110mm diameter borosilicate lens mounted onto extended holders to allow ventilation

Mechanical

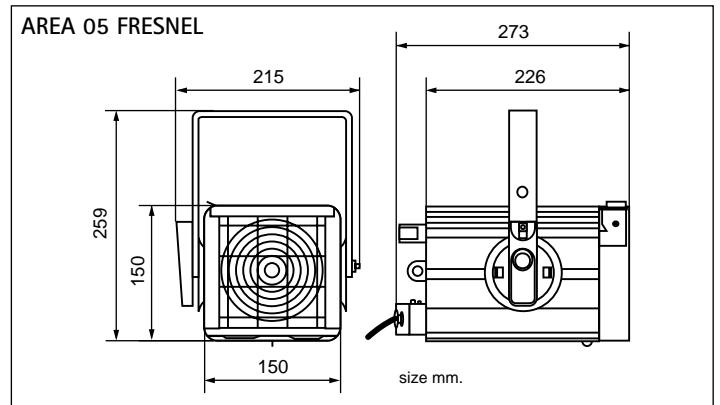
- Die-cast extruded aluminium housing
- Black external anti-scratch Epoxy Resin paint
- Black optical internal paint to give no light reflection and high-temperature resistance
- Labyrinth ventilation to avoid spill light

Operational

- Lamp-tray hinged to the housing and completely removable for easy maintenance
- Yoke with 10mm diameter hole, adjustable height, reversible and sliding into extruded rails to balance accessories and for use in any position
- Accessory top covered by a door
- Heat insulated knobs and handles
- Quick tilt positioning with fast-locking levers
- Focus adjustment by an endless screw mechanism operated by rear knob



Net weight Kg 3.3 - Gross weight Kg 3.6 - Box volume m³ 0.017



Net weight Kg 2.9 - Gross weight Kg 3.3 - Box volume m³ 0.017

Information for ordering accessories and different versions

Code

- Vario 05 PC with safety net
- Area 05 Fresnel with safety net

VA 05
AR 05

Accessories

- Colour filter frame
- 4-door rotatable barndoors
- Safety bond
- Theatre C-hook in black painted steel for 30 to 50mm diameter tubes
- TV C-hook in die-cast aluminium (PIVOT DIN adaptor required)
- 29mm / M10 spigot adapter
- Aluminium clamp for 50mm diameter tubes
- Superclamp
- Colour changing scroller, DMX 512 or 0/10V controlled

TC S05
PL 4 S05
FUNE
GAC
A8
PIVOT DIN
HC / 500
CLAMP
on request

Options

- Clear lens for Vario 05 PC
- 100-120V lamp version

on request
on request

Lamps

Long life (2950 °K)

Theatre (3050 °K)

Film/TV (3200 °K)

Type / Order code	M 38	M 40	T 18	T26	CP 81	CP 82	CP 89
Power (W)	300	500	500	650	300	500	650
Lampholder	GY 9.5	GY 9.5	GY 9.5	GY 9.5	GY 9.5	GY 9.5	GY 9.5
Light-centre/base lamp distance (mm)	46.5	46.5	46.5	46.5	46.5	46.5	46.5
Luminous flux (Lumen)	5200	10000	11000	14500	7800	13500	17500
Life time (hours)	2000	2000	360	600	180	180	180
Colour temperature (°K)	2950	2950	3050	3050	3200	3200	3200
Supply voltage (V)	230	230	230	230	230	230	230
Nominal current (Amp.)	1.3	2.17	2.17	2.8	1.3	2.17	2.8