



# Sintesi range

**Professional lighting  
equipment for theatres**

**SPOTLIGHT**

# General features

## Sintesi range

The Sintesi name and range were created from the idea to bring together into one line of high level luminaires all the major technical features gathered from 30 years of experience in theatre lighting



Yoke mounted onto sliding rails for correct balancing... and positioning



Safety bond attachment



Automatic power cut out by bipolar microswitch on opening the lamp-tray

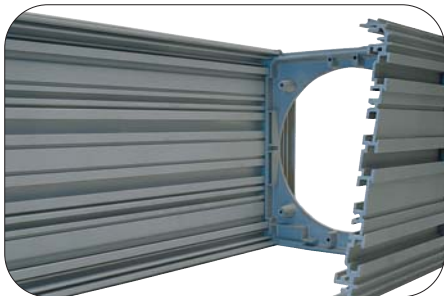


PCs, Fresnels and Profiles, all with lamp-tray hinged to the housing which can be completely removed for easy maintenance





Fast-locking levers exclusively designed for reduced obstruction or traditional screw-knobs (available on request)



Die-cast extruded aluminium housing for thermal dissipation at high temperature



Accessory top covered by lockable door operated by a safety-spring to avoid spill light with ventilation gaps on 1200/2500W models

## Technical features

Products designed for professional use even under difficult conditions that guarantee:

### Durability

Die-cast extruded aluminium housing, shockproof with anti-scratch paint

### Long-Lasting Performance

Rustproof body, high capacity electrical components with high-temperature insulation and tempered glass lenses

### Cooling

By dissipation through a finned extruded aluminium surface and by convection through various slots which on the back of the luminaire enhance ventilation when the unit is positioned at a steep angle

### Safety

All luminaires are CE labelled in accordance with the EN 60598-2-17 standards for professional lighting fixtures for public venues and theatres

## Profiles



Removable lantern and optics (Excluding FIGURA 05)



4 removable shaping shutters mounted between plates specially treated with an anti-abrasive surface and locked by long-extension springs to allow the shutters to be moved smoothly and precisely



Easy access for maintenance to the zoom lenses through two sliding doors



Fine adjustment for Peak/Even positioning

## PC & Fresnel



Focus adjustment by an endless screw mechanism



Lens mounted onto extended holders to allow ventilation



Light centre length set for various lamps without the need for special tools

# Plano-Convex (PC) and Fresnel

300/500/650W Halogen

## Mod. Vario 05 - Area 05



VARIO 05

A plano-convex luminaire with a defined beam, variable from 5° to 56°  
Barndoors optional

Lux	27808	6952	3090	1738	1112
Ø (m)	0.17	0.35	0.52	0.70	0.87

SPOT 5°

Dist. (m)	2	4	6	8	10
-----------	---	---	---	---	----

Lux	1502	376	167	94	60
Ø (m)	2.13	4.25	6.38	8.51	10.63

FLOOD 56°

Dist. (m)	2	4	6	8	10
-----------	---	---	---	---	----

TESTED WITH LAMP CP89 650W 230V



AREA 05

Fresnel luminaire with a soft-edged beam, variable from 7° to 62°  
Barndoors optional

Lux	19280	4820	2142	1205	771
Ø (m)	0.24	0.49	0.73	0.98	1.22

SPOT 7°

Dist. (m)	2	4	6	8	10
-----------	---	---	---	---	----

Lux	1853	463	206	116	74
Ø (m)	2.40	4.81	7.21	9.61	12.02

FLOOD 62°

Dist. (m)	2	4	6	8	10
-----------	---	---	---	---	----

TESTED WITH LAMP CP89 650W 230V

## Technical features

### Electrical

- Standard 230V, 50/60Hz power supply (others available on request)
- Lamp-holder type GY 9.5
- 2m power supply cable (plug available on request)
- Strain relief cable clamp entry into light housing

### Safety

- Automatic power cut-out by bipolar microswitch on opening the lamp-tray
- Safety mesh
- Safety bond attachment
- Filter-frame locking system
- Compliance to CE EN 60598-2-17 standards

### Optical

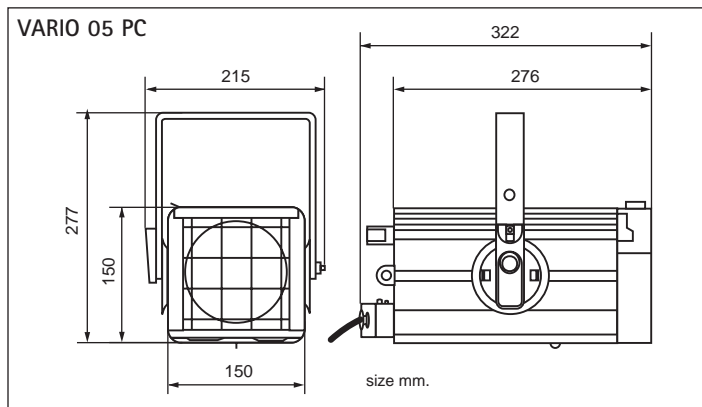
- Spherical reflector in 99.99% polished and treated aluminium: 70mm diameter
- 110mm diameter borosilicate lens mounted onto extended holders to allow ventilation

### Mechanical

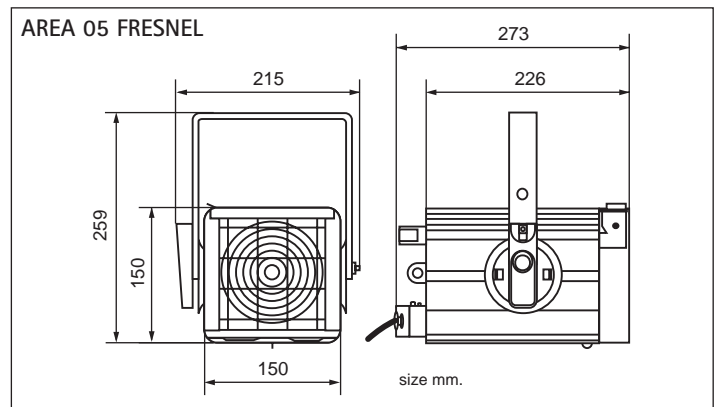
- Die-cast extruded aluminium housing
- Black external anti-scratch Epoxy Resin paint
- Black optical internal paint to give no light reflection and high-temperature resistance
- Labyrinth ventilation to avoid light spillage

### Operational

- Lamp-tray hinged to the housing and completely removable for easy maintenance
- Yoke with 10mm diameter hole, adjustable height, reversible and sliding into extruded rails to balance accessories and for use in any position
- Accessory top covered by a door
- Heat insulated knobs and handles
- Quick tilt positioning with fast-locking levers
- Focus adjustment by an endless screw mechanism operated by rear knob



Net weight Kg 3.3 - Gross weight Kg 3.6 - Box volume m<sup>3</sup> 0.017



Net weight Kg 2.9 - Gross weight Kg 3.3 - Box volume m<sup>3</sup> 0.017

### Information for ordering accessories and different versions

### Code

- Vario 05 PC with safety net
- Area 05 Fresnel with safety net

VA 05  
AR 05

### Accessories

- Colour filter frame
- 4-door rotatable barndoors
- Safety bond
- Theatre C-hook in black painted steel for 30 to 50mm diameter tubes
- TV C-hook in die-cast aluminium (PIVOT DIN adaptor required)
- 29mm / M10 spigot adapter
- Aluminium clamp for 50mm diameter tubes
- Superclamp
- Colour changing scroller, DMX 512 or 0/10V controlled

TC S05  
PL 4 S05  
FUNE  
GAC  
A8  
PIVOT DIN  
HC / 500  
CLAMP  
on request

### Options

- Clear lens for Vario 05 PC
- 100-120V lamp version

on request  
on request

### Lamps

### Long life (2950 °K)

### Theatre (3050 °K)

### Film/TV (3200 °K)

Type / Order code	M 38	M 40	T 18	T26	CP 81	CP 82	CP 89
Power (W)	300	500	500	650	300	500	650
Lampholder	GY 9.5	GY 9.5	GY 9.5	GY 9.5	GY 9.5	GY 9.5	GY 9.5
Light-centre/base lamp distance (mm)	46.5	46.5	46.5	46.5	46.5	46.5	46.5
Luminous flux (Lumen)	5200	10000	11000	14500	7800	13500	17500
Life time (hours)	2000	2000	360	600	180	180	180
Colour temperature (°K)	2950	2950	3050	3050	3200	3200	3200
Supply voltage (V)	230	230	230	230	230	230	230
Nominal current (Amp.)	1.3	2.17	2.17	2.8	1.3	2.17	2.8

# Plano-Convex (PC) and Fresnel

1000/1200W Halogen

## Mod. Vario 12 - Area 12



VARIO 12

A plano-convex luminaire with a defined beam, variable from 4° to 63°  
Barndoors optional

Lux	17725	4431	1969	1108	709
Ø (m)	0.28	0.56	0.84	1.12	1.40

SPOT 4°

Dist. (m)	4	8	12	16	20
-----------	---	---	----	----	----

Lux	655	164	73	41	26
Ø (m)	4.90	9.80	14.71	19.61	24.51

FLOOD 63°

Dist. (m)	4	8	12	16	20
-----------	---	---	----	----	----

TESTED WITH LAMP CP90 1200W 230V



AREA 12

A Fresnel luminaire with a soft-edged beam, variable from 7° to 53°  
Barndoors optional

Lux	10269	2567	1141	642	411
Ø (m)	0.49	0.98	1.47	1.96	2.45

SPOT 7°

Dist. (m)	4	8	12	16	20
-----------	---	---	----	----	----

Lux	885	221	98	55	35
Ø (m)	4.0	8.1	12.1	16.1	20.2

FLOOD 53°

Dist. (m)	4	8	12	16	20
-----------	---	---	----	----	----

TESTED WITH LAMP CP90 1200W 230V

## Technical features

### Electrical

- Standard 230V, 50/60Hz power supply (others available on request)
- Lamp-holder type GX 9.5
- 2m power supply cable (plug available on request)
- Strain relief cable clamp entry into light housing

### Safety

- Automatic power cut-out by bipolar microswitch on opening the lamp-tray
- Safety mesh
- Safety bond attachment
- Filter-frame locking system
- Compliance to CE EN 60598-2-17 standards

### Optical

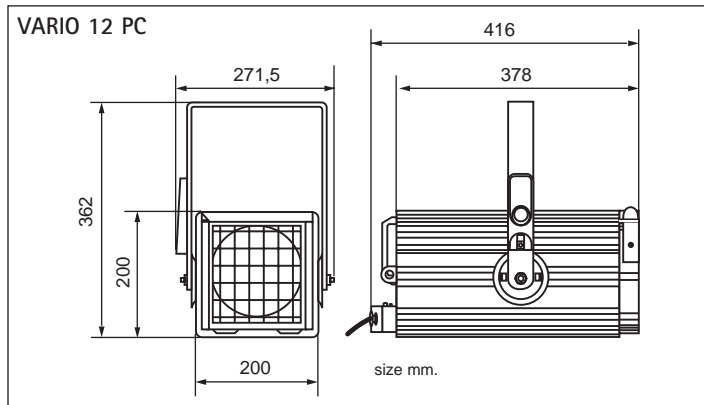
- Spherical reflector in 99.99% polished and treated aluminium: 100mm diameter
- 150mm diameter borosilicate lens mounted onto extended holders to allow ventilation

### Mechanical

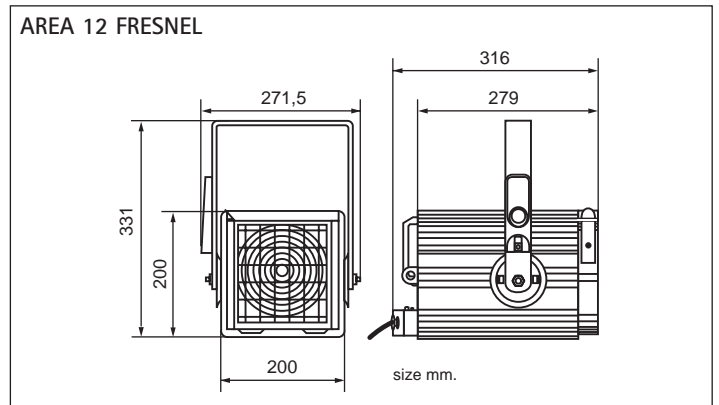
- Die-cast extruded aluminium housing
- External black anti-scratch Epoxy resin paint
- Black optical internal paint to give no light reflection and high-temperature resistance
- Labyrinth ventilation to avoid light spillage

### Operational

- Lamp-tray hinged to the housing and completely removable for easy maintenance
- Yoke with 10mm diameter hole, adjustable height, reversible and sliding into extruded rails to balance accessories and for use in any position
- Accessory top covered by a door
- Heat insulated knobs and handles
- Quick tilt positioning with fast-locking levers
- Lamp-holder mounted onto an easily adjustable plate for 1000 to 1200 W lamps
- Focus adjustment by an endless screw mechanism operated by rear knob



Net weight Kg 6.6 - Gross weight Kg 7.7 - Box volume m<sup>3</sup> 0.042



Net weight Kg 5 - Gross weight Kg 6.2 - Box volume m<sup>3</sup> 0.035

### Information for ordering accessories and different versions

### Code

• Vario 12 PC with safety net	VA 12
• Area 12 Fresnel with safety net	AR 12
<b>Accessories</b>	
• Colour filter frame	TC S12
• 4-door rotatable barndoors	PL 4 S12
• Safety bond	FUNE
• Theatre C-hook in black painted steel for 30 to 50mm diameter tubes	GAC
• TV C-hook in die-cast aluminium (PIVOT DIN adaptor required)	A8
• 29mm / M10 spigot adapter	PIVOT DIN
• Aluminium clamp for 50mm diameter tubes	HC / 500
• Superclamp	CLAMP
• Colour changing scroller, DMX 512 or 0/10V controlled	on request
<b>Options</b>	
• Clear lens for Vario 12 PC	on request
• 100-120V lamp version	on request

### Lamps

### Theatre (3050 °K)

### Film/TV (3200 °K)

Type / Order code	T21	T19	T29	CP 67	CP70	CP90
<b>Power (W)</b>	<b>650</b>	<b>1000</b>	<b>1200</b>	<b>650</b>	<b>1000</b>	<b>1200</b>
Lampholder	GX9.5	GX9.5	GX9.5	GX9.5	GX9.5	GX9.5
Light-centre/base lamp distance (mm)	55	55	67	55	55	67
Luminous flux (Lumen)	13000	21500	27600	16500	25000	30000
Life time (hours)	900	750	480	400	200	240
Colour temperature (°K)	3050	3050	3050	3200	3200	3200
Supply voltage (V)	230	230	230	230	230	230
Nominal current (Amp.)	2.8	4.3	5.2	2.8	4.3	5.2

# Plano-Convex (PC) and Fresnel

2000/2500W Halogen

## Mod. Vario 25 - Area 25



VARIO 25

A plano-convex luminaire with a defined beam, variable from 4° to 66°  
Barndoors optional

Lux	23903	5976	2656	1494	956
Ø (m)	0.35	0.70	1.05	1.40	1.75

SPOT

4°

Dist. (m)	5	10	15	20	25
-----------	---	----	----	----	----

Lux	880	220	98	55	35
Ø (m)	6.49	12.99	19.48	25.98	32.47

FLOOD

66°

Dist. (m)	5	10	15	20	25
-----------	---	----	----	----	----

TESTED WITH LAMP CP91 2500W 230V



AREA 25

A Fresnel luminaire with a soft-edged beam, variable from 7° to 65°  
Barndoors optional

Lux	13124	3281	1458	820	525
Ø (m)	0.61	1.22	1.83	2.45	3.06

SPOT

7°

Dist. (m)	5	10	15	20	25
-----------	---	----	----	----	----

Lux	1234	309	137	77	49
Ø (m)	6.37	12.74	19.11	25.48	31.85

FLOOD

65°

Dist. (m)	5	10	15	20	25
-----------	---	----	----	----	----

TESTED WITH LAMP CP91 2500W 230V



## Technical features

### Electrical

- Standard 230V, 50/60Hz power supply (others available on request)
- Lamp-holder type G 22 (GY 16 optional)
- 2m power supply cable (plug available on request)
- Strain relief cable clamp entry into light housing

### Safety

- Automatic power cut-out by bipolar microswitch on opening the lamp-tray
- Safety mesh
- Safety bond attachment
- Filter-frame locking system
- Compliance to CE EN 60598-2-17 standards

### Optical

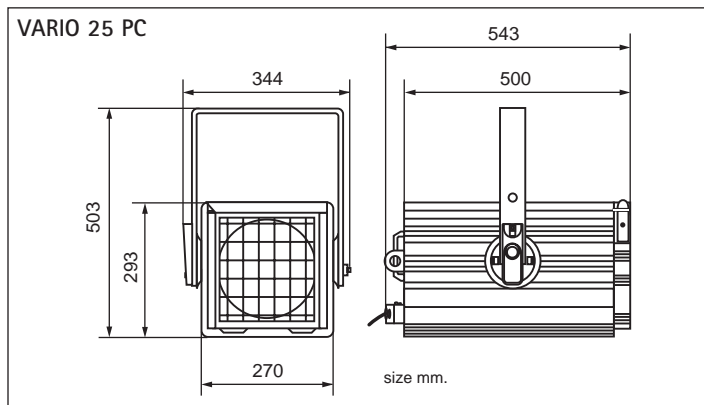
- Spherical reflector in 99.99% polished and treated aluminium; 150mm diameter
- 200mm diameter borosilicate lens mounted onto extended holders to allow ventilation

### Mechanical

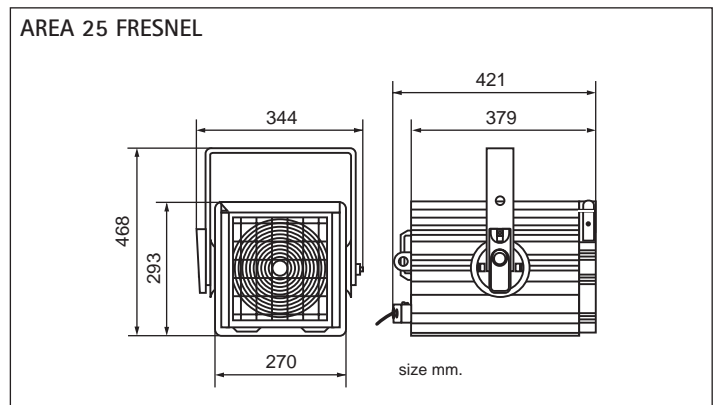
- Die-cast extruded aluminium housing
- External black anti-scratch Epoxy Resin paint
- Black optical internal paint to give no light reflection and high-temperature resistance
- Labyrinth ventilation to avoid light spillage

### Operational

- Lamp-tray hinged to the housing and completely removable for easy maintenance
- Yoke with 10mm diameter hole, adjustable height, reversible and sliding into extruded rails to balance accessories and for use in any position
- Accessory top covered by a door
- High insulated knobs and handles
- Quick tilt positioning with fast-locking levers
- Lamp-holder mounted onto an easily adjustable plate for 2000 to 2500 W lamps
- Focus adjustment by an endless screw mechanism operated by rear knob



Net weight Kg 13.1 – Gross weight Kg 15.1 – Box volume m<sup>3</sup> 0.087



Net weight Kg 10.1 – Gross weight Kg 12 – Box volume m<sup>3</sup> 0.072

### Information for ordering accessories and different versions

### Code

- Vario 25 PC with safety net
- Area 25 Fresnel with safety net

AR 25

#### Accessories

- Colour filter frame
- 4-door rotatable barndoors
- Safety bond
- Theatre C-hook in black painted steel for 30 to 50mm diameter tubes
- TV C-hook in die cast aluminium (PIVOT DIN adaptor required)
- 29mm / M10 spigot adapter
- Aluminium clamp for 50mm diameter tubes
- Superclamp
- Colour changing scroller, DMX 512 or 0/10V controlled

TC S25

PL 4 S25

FUNE

GAC

A8

PIVOT DIN

HC / 500

CLAMP

on request

#### Options

- Clear lens for Vario 25 PC
- 100-120V lamp version
- GY 16 lampholder version

on request

on request

on request

### Lamps

### Film/TV/Theatre (3200 °K)

Type / Order code	CP75	CP92	CP91	CP72 on request
Power (W)	2000	2000	2500	2000
Lampholder	G22	G22	G22	GY16
Light-centre/base lamp distance (mm)	75	90	90	70
Luminous flux (Lumen)	52000	52000	65000	50000
Life time (hours)	480	400	450	480
Colour temperature (°K)	3200	3200	3200	3200
Supply voltage (V)	230	230	230	230
Nominal current (Amp.)	8.6	8.6	10.8	8.6

# Zoom profile spots

300/500/650W Halogen

## Mod. Figura 05 ZS - Figura 05 ZW



FIGURA 05 ZS

14° to 33° zoom variable profile spot with shaping shutters and slots for Iris/Gobo holder

Lux	19431	4858	2159	1214	777
Ø (m)	0.49	0.98	1.47	1.96	2.46

NARROW BEAM

14°

Dist. (m)	2	4	6	8	10
-----------	---	---	---	---	----

Lux	10650	2663	1183	666	426
Ø (m)	1.18	2.37	3.55	4.74	5.92

WIDE BEAM

33°

Dist. (m)	2	4	6	8	10
-----------	---	---	---	---	----

TESTED WITH LAMP CP89 650W 230V



FIGURA 05 ZW

23° to 40° zoom variable profile spot with shaping shutters and slots for Iris/Gobo holder

Lux	14504	3626	1612	907	580
Ø (m)	0.81	1.63	2.44	3.26	4.07

NARROW BEAM

23°

Dist. (m)	2	4	6	8	10
-----------	---	---	---	---	----

Lux	8388	2097	932	524	336
Ø (m)	1.46	2.91	4.37	5.82	7.28

WIDE BEAM

40°

Dist. (m)	2	4	6	8	10
-----------	---	---	---	---	----

TESTED WITH LAMP CP89 650W 230V

## Technical features

### Electrical

- Standard 230V, 50/60Hz power supply (others available on request)
- Lamp-holder type GY 9.5
- 2m power supply cable (plug available on request)
- Strain relief cable clamp entry into light housing

### Safety

- Automatic power cut-out by bipolar microswitch on opening the lamp-tray
- Safety mesh (optional)
- Safety bond attachment
- Filter-frame locking system
- Compliance to CE EN 60598-2-17 standards

### Optical

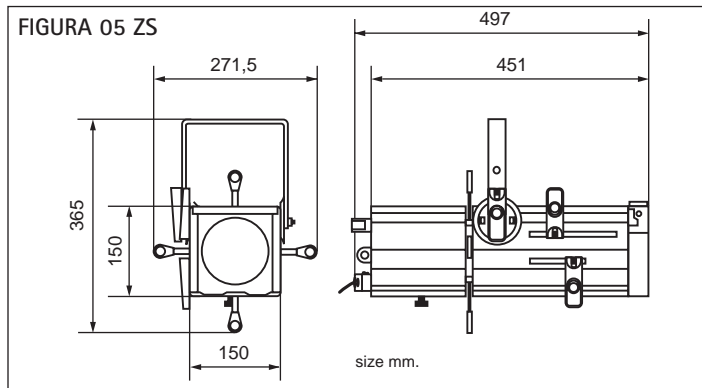
- Independent lens zoom system 14°-33° and 23°-40° (ZW)
- Ellipsoidal reflector in 99.99% polished and treated aluminium: 120mm diameter
- 18-leaf iris diaphragm (optional)
- 4 removable shaping shutters mounted between plates specially treated with an anti-abrasive surface
- 90mm optical tempered glass internal lens
- 110mm optical glass internal lens

### Mechanical

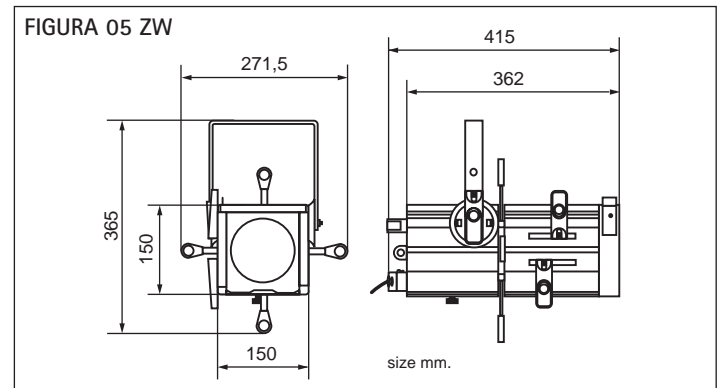
- Die-cast extruded aluminium housing
- External black anti-scratch Epoxy Resin paint
- Black optical internal paint to give no light reflection and high-temperature resistance
- Labyrinth ventilation to avoid light spillage

### Operational

- M and B size gobo holder slots covered by a sliding door to prevent the accessories from falling out and to avoid spill light
- Exclusively designed zoom and focusing system with fast locking levers
- Double sliding doors to access lenses for maintenance
- Lamp-tray hinged to the housing and completely removable for easy maintenance
- Yoke with 10mm diameter hole, adjustable height, reversible and sliding into extruded rails to balance accessories and for use in any position
- Accessory top covered by a door
- High thermal insulating knobs and handles
- Quick tilt positioning with fast locking levers



Net weight Kg 4.8 – Gross weight Kg 5.7 – Box volume m<sup>3</sup> 0.038



Net weight Kg 4.5 – Gross weight Kg 5.5 – Box volume m<sup>3</sup> 0.034

### Information for ordering accessories and different versions

### Code

• Figura 05 ZS (14°- 33°)	FI 05 ZS
• Figura 05 ZW (23°- 40°)	FI 05 ZW
<b>Accessories</b>	
• Colour filter frame	TC S05
• Safety mesh	R S05
• Safety bond	FUNE
• Gobo-holder for M size gobos	PGM 100
• Gobo-holder for B size gobos	PGB 100
• Iris diaphragm	DIA 05
• Iris diaphragm with black-out	DIA 05 BO
• Theatre C-hook in black painted steel for 30 to 50mm diameter tubes	GAC
• TV C-hook in die-cast aluminium (PIVOT DIN adaptor required)	A8
• 29mm / M10 spigot adapter	PIVOT DIN
• Aluminium clamp for 50mm diameter tubes	HC / 500
• Superclamp	CLAMP
• Colour changing scroller, DMX 512 or 0/10V controlled	on request
<b>Options</b>	
• 100-120V lamp version	on request

### Lamps

### Long life (2950 °K)

### Theatre (3050 °K)

### Film/TV (3200 °K)

Type / Order code	M 38	M 40	T 18	T26	CP 81	CP 82	CP 89
<b>Power (W)</b>	<b>300</b>	<b>500</b>	<b>500</b>	<b>650</b>	<b>300</b>	<b>500</b>	<b>650</b>
Lampholder	GY 9.5	GY 9.5	GY 9.5	GY 9.5	GY 9.5	GY 9.5	GY 9.5
Light-centre/base lamp distance (mm)	46.5	46.5	46.5	46.5	46.5	46.5	46.5
Luminous flux (Lumen)	5200	10000	11000	14500	7800	13500	17500
Life time (hours)	2000	2000	360	600	180	180	180
Colour temperature (°K)	2950	2950	3050	3050	3200	3200	3200
Supply voltage (V)	230	230	230	230	230	230	230
Nominal current (Amp.)	1.3	2.17	2.17	2.8	1.3	2.17	2.8

# Zoom profile spots

1000/1200W Halogen

## Mod. Figura 12 ZS - Figura 12 ZW



FIGURA 12 ZS

13° to 35° zoom variable profile spot with shaping shutters and slots for Iris/Gobo holder

Lux	12530	3133	1392	783	501
∅ (m)	0.91	1.82	2.73	3.65	4.56

NARROW BEAM

13°

Dist. (m)	4	8	12	16	20
-----------	---	---	----	----	----

Lux	4496	1124	500	281	180
∅ (m)	2.52	5.04	7.57	10.09	12.61

WIDE BEAM

35°

Dist. (m)	4	8	12	16	20
-----------	---	---	----	----	----

TESTED WITH LAMP CP90 1200W 230V



FIGURA 12 ZW

24° to 50° zoom variable profile spot with shaping shutters and slots for Iris/Gobo holder

Lux	9233	2308	1026	577	369
∅ (m)	1.70	3.40	5.10	6.80	8.50

NARROW BEAM

24°

Dist. (m)	4	8	12	16	20
-----------	---	---	----	----	----

Lux	2835	709	315	177	113
∅ (m)	3.73	7.46	11.19	14.92	18.65

WIDE BEAM

50°

Dist. (m)	4	8	12	16	20
-----------	---	---	----	----	----

TESTED WITH LAMP CP90 1200W 230V

## Technical features

### Electrical

- Standard 230V, 50/60Hz power supply (others available on request)
- Lamp-holder type GX 9.5
- 2m power supply cable (plug available on request)
- Strain relief cable clamp entry into light housing

### Safety

- Automatic power cut-out by bipolar microswitch on opening the lamp-tray
- Safety mesh (optional)
- Safety bond attachment
- Filter-frame locking system
- Compliance to CE EN 60598-2-17 standards

### Optical

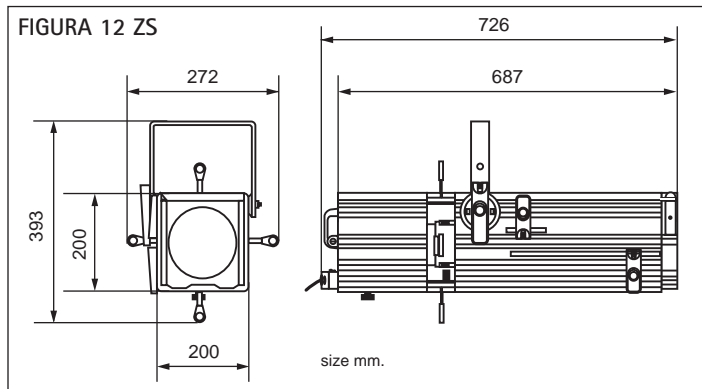
- Independent lens zoom system 13°-35° (ZS) and 24°-50° (ZW)
- Ellipsoidal reflector in 99.99% polished and treated aluminium: 150mm diameter
- 18-leaf iris diaphragm (optional)
- 4 removable shaping shutters mounted between plates specially treated with an anti-abrasive surface
- 110mm optical tempered glass internal lens
- 150mm optical glass internal lens

### Mechanical

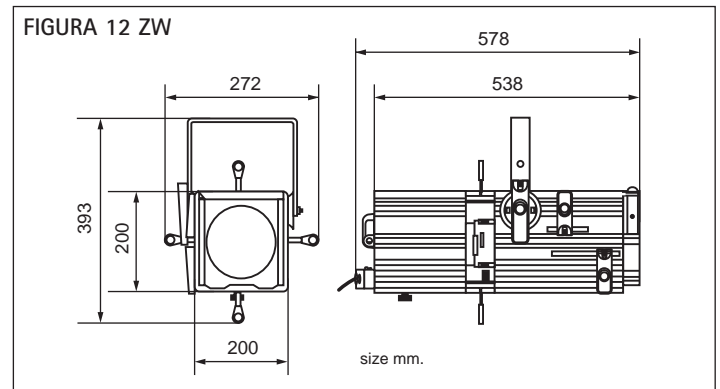
- Die-cast extruded aluminium housing
- External black anti-scratch Epoxy Resin paint
- Black optical internal paint to give no light reflection and high-temperature resistance
- Labyrinth ventilation to avoid light spillage

### Operational

- B size gobo holder slots covered by a sliding door to prevent the accessories from falling out and to avoid spill light
- Exclusively designed zoom and focusing system with fast locking levers
- Double sliding door to access lenses for maintenance
- Lamp-tray hinged to the housing and completely removable for easy maintenance
- Yoke with 10mm diameter hole, adjustable height, reversible and sliding into extruded rails to balance accessories and for use in any position
- Accessory top covered by a door
- Heat insulated knobs and handles
- Quick tilt positioning with fast locking levers
- Peak/Even beam setting and fine adjustment of lamp-to-mirror position for 1000/1200W lamps
- Removable lantern and optics



Net weight Kg 9.8 – Gross weight Kg 11.5 – Box volume m<sup>3</sup> 0.086



Net weight Kg 9.1 – Gross weight Kg 10.7 – Box volume m<sup>3</sup> 0.070

### Information for ordering accessories and different versions

### Code

• Figura 12 ZS (13°-35°)	FI 12 ZS
• Figura 12 ZW (24°- 50°)	FI 12 ZW
<b>Accessories</b>	
• Colour filter frame	TC S12
• Safety mesh	R S12
• Safety bond	FUNE
• Gobo-holder for B size gobos	PGB 130
• Iris diaphragm	DIA 10
• Iris diaphragm with black-out	DIA 10 BO
• Theatre C-hook in black painted steel for 30 to 50mm diameter tubes	GAC
• TV C-hook in die-cast aluminium (PIVOT DIN adaptor required)	A8
• 29mm / M10 spigot adapter	PIVOT DIN
• Aluminium clamp for 50mm diameter tubes	HC / 500
• Superclamp	CLAMP
• Colour changing scroller, DMX 512 or 0/10V controlled	on request
<b>Options</b>	
• 100-120V lamp version	on request

### Lamps

### Theatre (3050 °K)

### Film/TV (3200 °K)

Type / Order code	T21	T19	T29	CP 67	CP70	CP90	CP63
<b>Power (W)</b>	<b>650</b>	<b>1000</b>	<b>1200</b>	<b>650</b>	<b>1000</b>	<b>1200</b>	<b>1000</b>
Lampholder	GX9.5	GX9.5	GX9.5	GX9.5	GX9.5	GX9.5	GX9.5
Light-centre/base lamp distance (mm)	55	55	67	55	55	67	55
Luminous flux (Lumen)	13000	21500	27600	16500	25000	30000	Reflector
Life time (hours)	900	750	480	400	200	240	180
Colour temperature (°K)	3050	3050	3050	3200	3200	3200	3200
Supply voltage (V)	230	230	230	230	230	230	230
Nominal current (Amp.)	2.8	4.3	5.2	2.8	4.3	5.2	4.3

# Zoom profile spots

2000/2500W Halogen

## Mod. Figura 25 ZS - Figura 25 ZW



FIGURA 25 ZS

9° to 25° zoom variable profile spot with shaping shutters and slots for Iris/Gobo holder

NARROW BEAM

9°

Lux	22152	5538	2461	1384	886
Ø (m)	0.79	1.57	2.36	3.15	3.94

Dist. (m)	5	10	15	20	25
-----------	---	----	----	----	----

Lux	8028	2007	892	502	321
Ø (m)	2.22	4.43	6.65	8.87	11.08

Dist. (m)	5	10	15	20	25
-----------	---	----	----	----	----

WIDE BEAM

25°

TESTED WITH LAMP CP91 2500W 230V



FIGURA 25 ZW

17° to 36° zoom variable profile spot with shaping shutters and slots for Iris/Gobo holder

NARROW BEAM

17°

Lux	16291	4073	1810	1018	652
Ø (m)	1.49	2.99	4.48	5.98	7.47

Dist. (m)	5	10	15	20	25
-----------	---	----	----	----	----

Lux	4270	1068	474	267	171
Ø (m)	3.25	6.50	9.75	13.0	16.25

Dist. (m)	5	10	15	20	25
-----------	---	----	----	----	----

WIDE BEAM

36°

TESTED WITH LAMP CP91 2500W 230V

## Technical features

### Electrical

- Standard 230V, 50/60Hz power supply (others available on request)
- Lamp-holder type G 22 (GY 16 optional)
- 2m power supply cable (plug available on request)
- Strain relief cable clamp entry into light housing

### Safety

- Automatic power cut-out by bipolar microswitch on opening the lamp-tray
- Safety mesh (optional)
- Safety bond attachment
- Filter-frame locking system
- Compliance to CE EN 60598-2-17 standards

### Optical

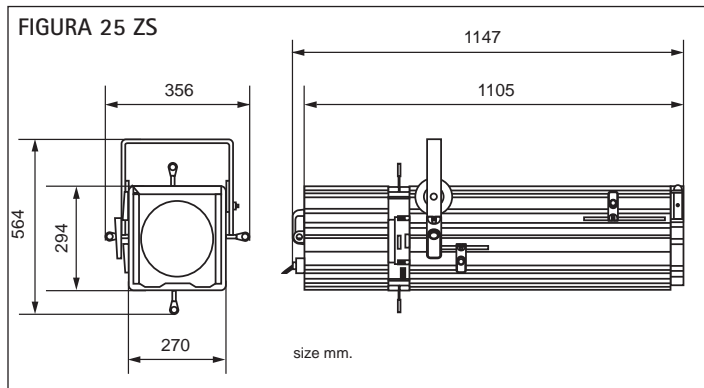
- Independent lens zoom system 9°-25° (ZS) and 17°-36° (ZW)
- Ellipsoidal reflector in 99.99% polished and treated aluminium: 190mm diameter
- 18-leaf iris diaphragm (optional)
- 4 removable shaping shutters mounted between plates specially treated with an anti-abrasive surface
- 150mm optical tempered glass internal lens
- 230mm optical glass internal lens

### Mechanical

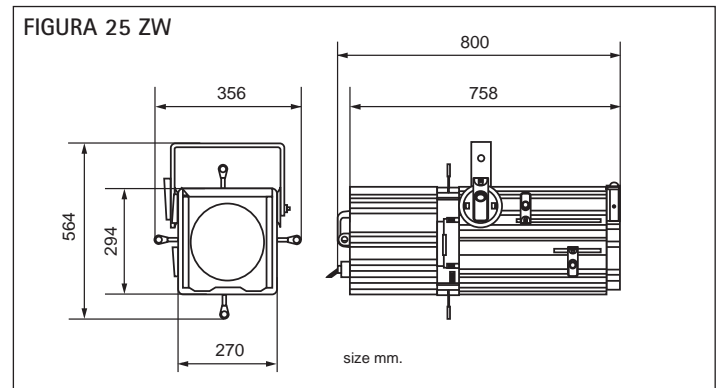
- Die-cast extruded aluminium housing
- External black anti-scratch Epoxy Resin paint
- Black optical internal paint to give no light reflection and high-temperature resistance
- Labyrinth ventilation to avoid light spillage

### Operational

- A size and B size gobo holder slots covered by a sliding door to prevent the accessories from falling out and to avoid light spilling
- Exclusively designed zoom and focusing system with fast locking levers
- Double sliding door to access lenses for maintenance
- Lamp-tray hinged to the housing and totally removable for easy maintenance
- Yoke with 10mm diameter hole, adjustable height, reversible and sliding into extruded rails to balance accessories and for use in any position
- Accessory top covered by a door
- Heat insulated knobs and handles
- Quick tilt positioning with fast locking levers
- Peak/Even beam setting and fine adjustment of lamp-to-mirror position for 2000/2500W lamps
- Removable lantern and optics



Net weigh Kg 25.1 – Gross weight Kg 30.4 – Box volume m<sup>3</sup> 0.230



Net weigh Kg 21.3 – Gross weight Kg 27.8 – Box volume m<sup>3</sup> 0.230

### Information for ordering accessories and different versions

### Code

• Figura 25 ZS (9°-25°)	FI 25 ZS
• Figura 25 ZW (17°-36°)	FI 25 ZW
<b>Accessories</b>	
• Colour filter frame	TC S25
• Safety mesh	R S25
• Safety bond	FUNE
• Gobo-holder for B size gobos	PGB 185
• Gobo-holder for A size gobos	PGA 185
• Iris diaphragm	DIA 20
• Iris diaphragm with black-out	DIA 20 BO
• Theatre C-hook in black painted steel for 30 to 50mm diameter tubes	GAC
• TV C-hook in die-cast aluminium (PIVOT DIN adaptor required)	A8
• 29mm / M10 spigot adaptor	PIVOT DIN
• Aluminium clamp for 50mm diameter tubes	HC / 500
• Superclamp	CLAMP
• Colour changing scroller, DMX 512 or 0/10V controlled	on request
<b>Options</b>	
• 100-120V lamp version	on request
• GY 16 lampholder version	on request

### Lamps

### Theatre/Film/TV (3200 °K)

Type / Order code	CP75	CP92	CP91	CP72 on request
<b>Power (W)</b>	<b>2000</b>	<b>2000</b>	<b>2500</b>	<b>2000</b>
Lampholder	G22	G22	G22	GY16
Light-centre/base lamp distance (mm)	75	90	90	70
Luminous flux (Lumen)	50000	50000	65000	50000
Life time (hours)	480	400	450	480
Colour temperature (°K)	3200	3200	3200	3200
Supply voltage (V)	230	230	230	230
Nominal current (Amp.)	8.6	8.6	10.8	8.6

Spotlight reserve the right to change specification without prior notice

**SPOTLIGHT**

**SPOTLIGHT SRL**

**VIA SARDEGNA, 3**

**20098 S. GIULIANO MILANESE (MI)**

**PHONE +39.02.98.83.055**

**FAX +39.02.98.83.056**

**E-MAIL: SALES@SPOTLIGHT.IT**

**WEB: WWW.SPOTLIGHT.IT**

*Your Dealer*