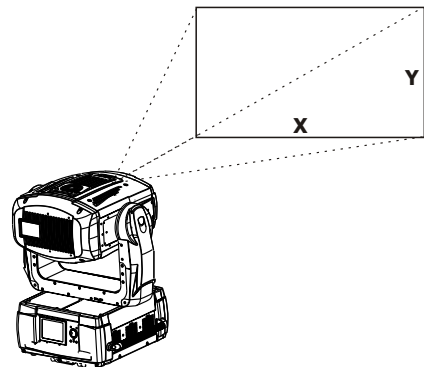
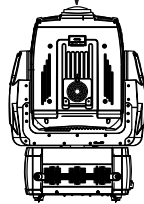


DigitalSpot 7000 DT - Illuminance/Image Size Chart

Standard Lens, Throw Distance Ratio 1.8 - 2.4: 1

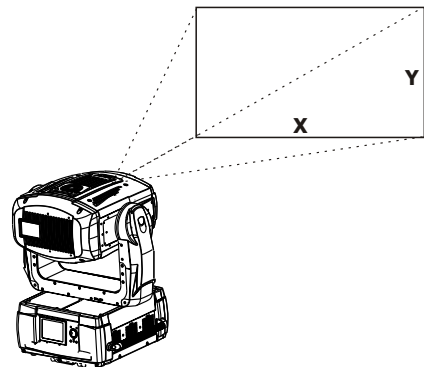
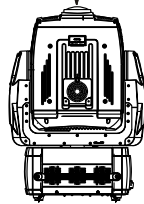
Illuminance (white output)				Image Size		
Max. zoom	Min. zoom			Max. zoom	Min. zoom	
62 lx 6 fc	99 lx 9 fc	Maximum	Minimum	18m (60')	X=10m (33') Y=7.5m (24.6')	X=7.5m (24.6') Y=5.6m (18.4')
79 lx 7 fc	126 lx 12 fc			16m (54')	X=8.9m (29.2') Y=6.7m (22')	X=6.7m (22') Y=5.0m (16.4')
90 lx 8 fc	142 lx 13 fc			15m (48')	X=8.3m (27.2') Y=6.3m (20.7')	X=6.25m (20.5') Y=4.7m (15.4')
120 lx 11 fc	190 lx 18 fc			13m (42')	X=7.2m (23.6') Y=5.4m (17.7')	X=5.4m (17.7') Y=4.0m (13.1')
167 lx 16 fc	266 lx 25 fc			11m (36')	X=6.1m (20') Y=4.6m (15.1')	X=4.6m (15.1') Y=3.5m (11.5')
250 lx 23 fc	397 lx 37 fc			9m (30')	X=5.0m (16.4') Y=3.8m (12.5')	X=3.8m (12.5') Y=2.9m (9.5')
316 lx 29 fc	502 lx 47 fc			8m (26')	X=4.4m (14.4') Y=3.3m (10.8')	X=3.3m (10.8') Y=2.5m (8.2')
413 lx 38 fc	656 lx 61 fc			7m (23')	X=3.9m (12.8') Y=2.9m (9.5')	X=3.0m (9.8') Y=2.3m (7.5')
563 lx 52 fc	892 lx 83 fc			6m (20')	X=3.3m (10.8') Y=2.5m (8.2')	X=2.5m (8.2') Y=1.9m (6.2')
810 lx 75 fc	1285 lx 119 fc			5m (16')	X=2.8m (9.2') Y=2.1m (6.9')	X=2.0m (6.6') Y=1.5m (4.9')
1266 lx 118 fc	2008 lx 187 fc			4m (13')	X=2.2m (7.2') Y=1.6m (5.2')	X=1.7m (5.6') Y=1.3m (4.3')
2250 lx 209 fc	3570 lx 332 fc			3m (10')	X=1.7m (5.6') Y=1.3m (4.3')	X=1.3m (4.3') Y=1.0m (3.3')
5063 lx 470 fc	8031 lx 746 fc			2m (7')	X=1.1m (3.6') Y=0.8m (2.6')	X=0.8m (2.6') Y=0.6m (2.0')



DigitalSpot 7000 DT - Illuminance/Image Size Chart

Narrow Angle Lens Module , Throw Distance Ratio 2.7 - 3.5: 1

Illuminance (white output)		Image Size				
Max. zoom	Min. zoom			Max. zoom	Min. zoom	
132 lx 12 fc	212 lx 20 fc	Maximum	Minimum	18m (60')	X=6.7m (22') Y=5m (16.4')	X=5.1m (17') Y=3.9m (12.7')
167 lx 16 fc	268 lx 25 fc			16m (54')	X=5.9m (19.5') Y=4.4m (14.6')	X=4.6m (15') Y=3.4m (11.3')
190 lx 18 fc	305 lx 28 fc			15m (48')	X=5.6m (18.2') Y=4.17m (13.7')	X=4.3m (14.1') Y=3.2m (10.5')
254 lx 24 fc	406 lx 38 fc			13m (42')	X=4.8m (15.8') Y=3.6m (12')	X=3.7m (12.2') Y=2.8m (9.2')
354 lx 33 fc	568 lx 53 fc			11m (36')	X=4.1m (13.4') Y=3.1m (10')	X=3.1m (10.3') Y=2.4m (7.7')
529 lx 49 fc	848 lx 79 fc			9m (30')	X=3.3m (11') Y=2.5m (8.2')	X=2.6m (8.4') Y=2m (6.3')
670 lx 62 fc	1073 lx 100fc			8m (26')	X=3m (9.7') Y=2.2m (7.3')	X=2.3m (7.5') Y=1.7m (5.6')
875 lx 81 fc	1402 lx 130 fc			7m (23')	X=2.6m (8.5') Y=1.9m (6.4')	X=2m (6.6') Y=1.5m (4.9')
1190 lx 111 fc	1908 lx 172 fc			6m (20')	X=2.2m (7.3') Y=1.7m (5.5')	X=1.7m (5.6') Y=1.3m (4.2')
1714 lx 159 fc	2747 lx 255 fc			5m (16')	X=1.9m (6.1') Y=1.4m (4.6')	X=1.4m (4.7') Y=1.1m (3.5')
2678 lx 249 fc	4292 lx 399 fc			4m (13')	X=1.48m (4.9') Y=1.11m (3.6')	X=1.14m (3.7') Y=0.86m (2.8')
4761 lx 442 fc	7631 lx 709 fc			3m (10')	X=1.11m (3.6') Y=0.83m (2.7')	X=0.86m (2.8') Y=0.64m (2.1')
10713 lx 995 fc	17169 lx 1595 fc			2m (7')	X=0.74m (2.4') Y=0.56m (1.8')	X=0.57m (1.9') Y=0.43m (1.4')



DigitalSpot 7000 DT - Illuminance/Image Size Chart

Wide Angle Lens Module , Throw Distance Ratio 1.2 - 1.7: 1

Illuminance (white output)				Image Size		
Max. zoom	Min. zoom			Max. zoom	Min. zoom	
31 lx 3 fc	50 lx 5 fc	Maximum	Minimum	18m (60')	X=15m (49.2') Y=11.3m (40')	X=10.6m (34.7') Y=7.9m (26')
39 lx 3.6 fc	63 lx 6 fc			16m (54')	X=13.3m (43.7') Y=10m (32.8')	X=9.4m (31') Y=7m (23.1')
45 lx 4 fc	71 lx 7 fc			15m (48')	X=12.5m (41') Y=9.4m (31')	X=8.8m (28.9') Y=6.6m (21.7')
59 lx 6 fc	95 lx 9 fc			13m (42')	X=10.9m (35.5') Y=8.1m (26.7')	X=7.6m (25.1') Y=5.7m (18.8')
83 lx 8 fc	132 lx 12 fc			11m (36')	X=9.2m (30.1') Y=6.9m (22.6')	X=6.5m (21.2') Y=4.8m (15.9')
124 lx 12 fc	198 lx 18 fc			9m (30')	X=7.5m (24.6') Y=5.6m (18.5')	X=5.3m (17.4') Y=4m (13')
157 lx 15 fc	250 lx 23 fc			8m (26')	X=6.7m (22.1') Y=5m (16.4')	X=4.7m (15.5') Y=3.5m (11.5')
205 lx 19 fc	327 lx 30 fc			7m (23')	X=5.8m (19.1') Y=4.4m (14.4')	X=4.1m (13.5') Y=3.1m (10.1')
279 lx 26 fc	444 lx 41 fc			6m (20')	X=5m (16.4') Y=3.7m (12.3')	X=3.5m (11.6') Y=2.6m (8.7')
401 lx 37 fc	640 lx 60 fc			5m (16')	X=4.2m (13.7') Y=3.1m (10.3')	X=3m (9.6') Y=2.2m (7.3')
627 lx 58 fc	1000 lx 93 fc			4m (13')	X=3.33m (10.9') Y=2.5m (8.2')	X=2.35m (7.7') Y=1.76m (5.8')
1115 lx 104 fc	1778 lx 165 fc			3m (10')	X=2.5m (8.2') Y=1.88m (6.2')	X=1.76m (5.8') Y=1.32m (4.3')
2506 lx 233 fc	4000 lx 372 fc			2m (7')	X=1.67m (5.5') Y=1.25m (4.1')	X=1.18m (3.9') Y=0.88m (2.9')

