

EURO-LIFT®

Euro-lift is the world-wide supplier of Mobil Tech Lifts. A broad range of professional Lifts and Wind Up Stands are available from stock.



ES-150

ES-150 Techn. Info

Winch:	Winch with automatic break	Min. Height:	1,60 m (5' 3")
Material:	Steel	Max. Height:	3,00 m (9' 10")
Legs:	3 legs, 1 adjustable	Diameter:	0,95-1,25m (3'1" - 4'1")
Finish:	Black powder coated	Self Weight:	14 kg (30,8 lbs)
		Max. Load:	70 kg (154 lbs)

ES-160 Techn. Info

Winch:	Winch with automatic break	Min. Height:	1,75 m (5' 9")
Material:	Steel	Max. Height:	4,10 m (13' 5")
Legs:	3 legs, 1 adjustable	Diameter:	max. 1,15-1,68m (3'9" - 5'6")
Finish:	Black powder coated	Self Weight:	24 kg (52,8 lbs)
		Max. Load:	80 kg (176 lbs)



ES-160



ES-200

ES-200 Techn. Info

Winch:	Winch with automatic break	Min. Height:	1,62 m (5' 4")
Material:	Steel	Max. Height:	2,70 m (8' 10")
Legs:	3 legs	Diameter:	max. 1,12m (3' 8")
Finish:	Black powder coated	Self Weight:	9,5 kg (20,9 lbs)
		Max. Load:	60 kg (132 lbs)



ES-350

ES-350 Techn. Info

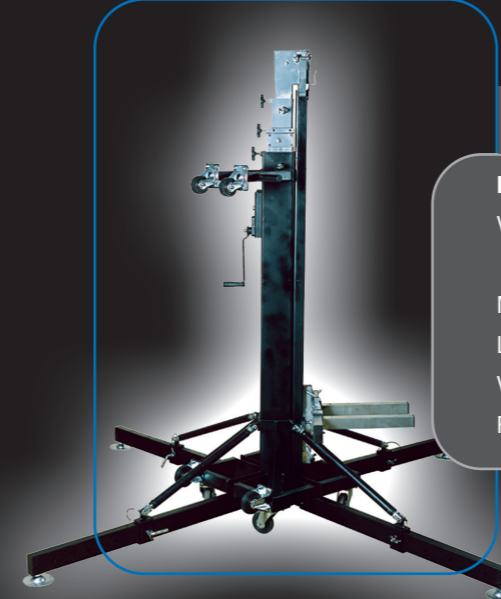
Winch:	Winch with automatic break and protection sleeve	Min. Height:	1,77 m (5' 10")
Material:	Steel	Max. Height:	5,50 m (18')
Legs:	4 articulated legs with adjustable jacks	Diameter:	max. 2,15m (7 ft)
Wheels:	8x castors for carriage	Self Weight:	107 kg (235 lbs)
Finish:	Black powder coated	Max. Load:	225 kg (495 lbs)



ES-400

Es-400 Techn. Info

Winch:	Winch with automatic break and protection sleeve	Min. Height:	1,85 m (6')
Material:	Steel	Max. Height:	6,50 m (21' 2")
Legs:	4 articulated legs with adjustable jacks	Diameter:	max. 2,15m (7 ft)
Wheels:	4x castors for carriage	Self Weight:	105 kg (230 lbs)
Finish:	Black powder coated	Max. Load:	200 kg (440 lbs)



ES-500

ES-500 Techn. Info

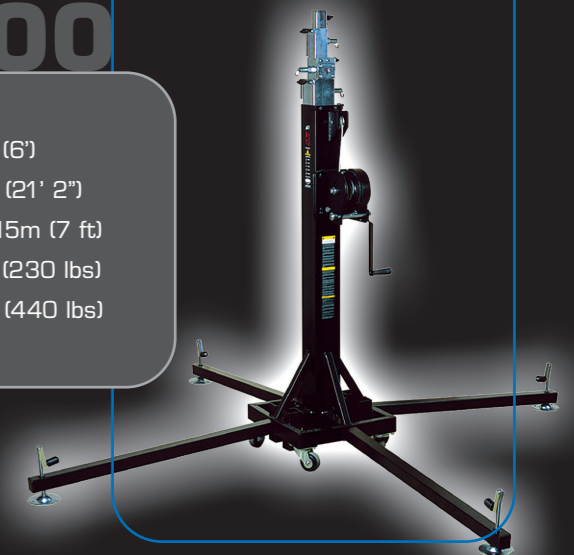
Winch:	Winch with automatic break and protection sleeve	Min. Height:	2,00 m (6' 5")
Material:	Steel	Load Height:	0,40 m (1' 3")
Legs:	4 articulated legs with adjustable jacks	Max. Height:	6,00 m (18')
Wheels:	8x castors for carriage	Diameter:	max. 2,65 m (9 ft)
Finish:	Black powder coated	Self Weight:	140 kg (306 lbs)
		Max. Load:	250 kg (550 lbs)

*** SPECIAL LOAD BAR ON 40CM HEIGHT TO LIFT TRUSSING (All Truss Types 250-500mm)**

ES-300

ES-300 Techn. Info

Winch:	Winch with automatic break and protection sleeve	Min. Height:	1,90 m (6' 3")
Material:	Steel	Max. Height:	4,70 m (15' 5")
Legs:	4 articulated legs with adjustable jacks	Diameter:	max. 2,13m (7 ft)
Wheels:	6x castors for carriage	Self Weight:	68 kg (150 lbs)
Finish:	Black powder coated	Max. Load:	150 kg (330 lbs)



ACCESSORIES

TRUSS SUPPORTS

ES-SB2



Support T-Bar
For Truss 200 - 350 mm
on mast 35 mm

ES-SB3



Support T-Bar
For Truss 250 - 500 mm
on mast 35 mm

ES-SB350



Support T-Bar
For Truss 250 - 500 mm
on ES-350 mast only

FIXING BARS

ES-BAR1



Fixation Bar for
Mounting 6/12 lights
L=150 cm, □: 30x30 mm
on mast 35 mm

ES-BAR3



Round fixation Bar for
Mounting 6/12 lights
L=150 cm, ○: D=50 mm
on mast 35 mm

ADAPTERS

ES-ASP



On mast 35 mm
To fit TV spigot 28 mm

ES-350-AD



Change mast size of
ES-350 Lift into 35 mm

ES-C1



Male saucer for mast 35 mm
D=120 mm

For other parts see our website: www.euro-lift.com



www.euro-lift.com
info@euro-lift.com
Castorweg 2, 8938 BE Leeuwarden
The Netherlands
Tel: +31-58-2158888 Fax: +31-58-2158111

Euro-Lift is an Eurotruss Member Company

EURO-LIFT®

MAKES IT EASIER



Minimum height is no longer an issue!